



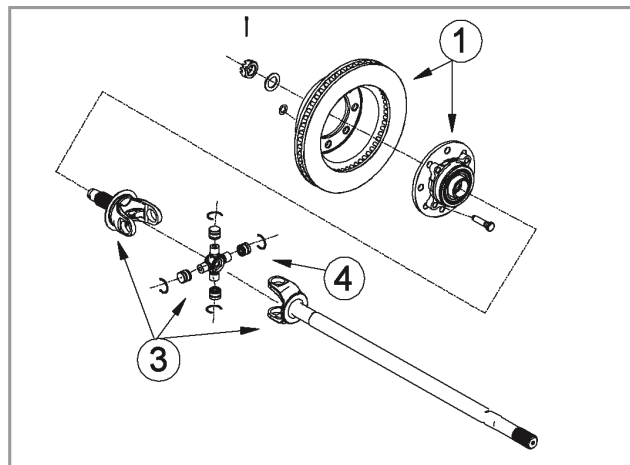
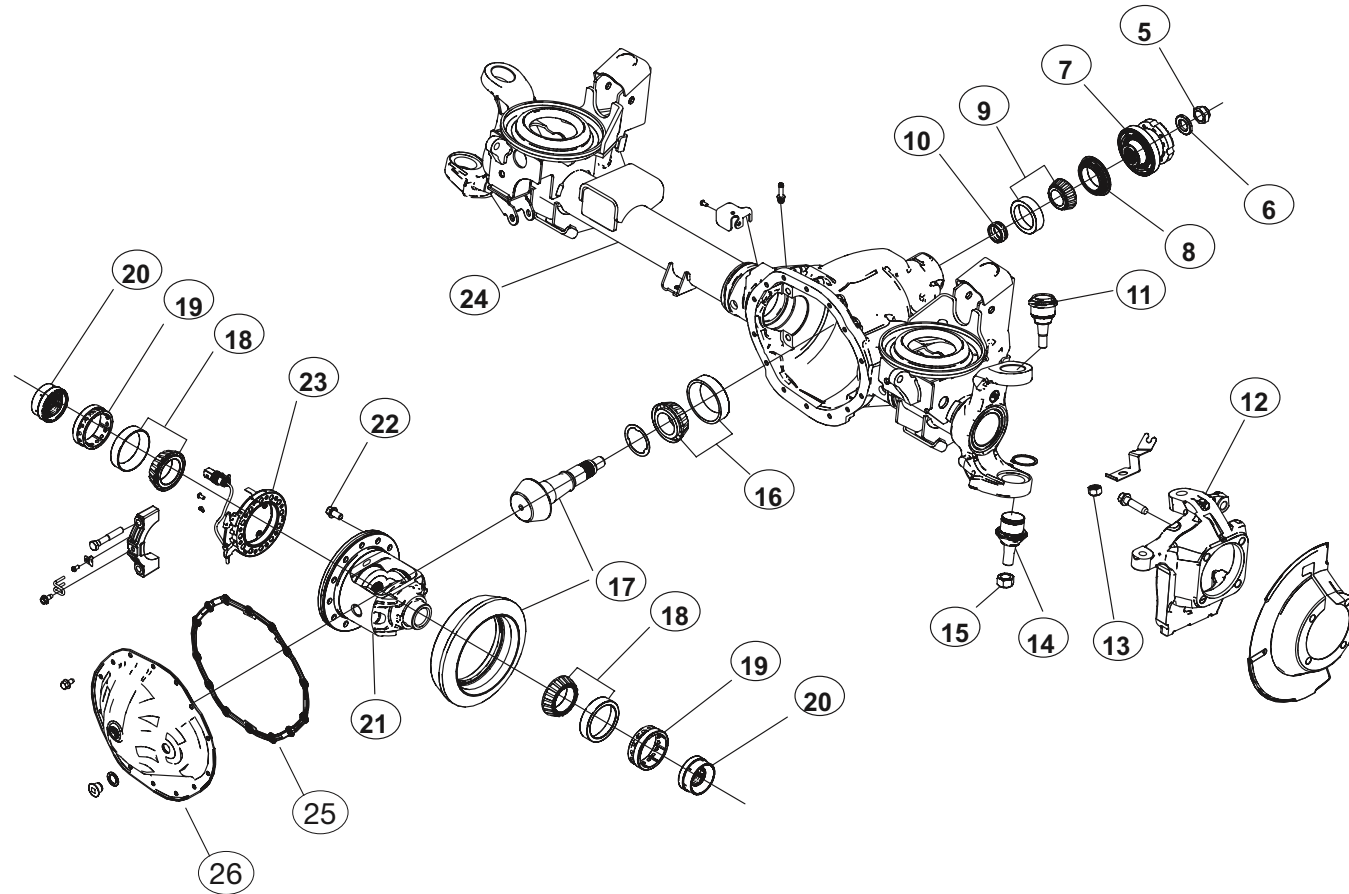
Demand the original.

Axle Components | Driveshaft Components | Repair Kits



AAM 925 14 BOLT with e - lock

Ram 9.25" Front Beam Axle



SINGLE WHEEL

ILL #	AAM PART NUMBER	DESCRIPTION	REQ	USAGE	MODEL YEAR
1		HUB & ROTOR ASM (SINGLE WHEEL)		FOR REFERENCE ONLY	
3	40020735	U-JOINT & AXLE SHAFT ASM - RH LONG	1	DR/DH	2005-2008
3	40020734	U-JOINT & AXLE SHAFT ASM - LH SHORT	1	DR/DH	2005-2008
3	40052461	U-JOINT & AXLE SHAFT ASM - RH LONG	1	DR/DH	2009+
4	40087025	U-JOINT - 1485	2	DR/DH	2005+
4	40068198	U-JOINT - 1555	2	DR/DH	2010+
5	9783762	PREVAILING TORQUE PINION NUT	1	DR/DH	2005+
6	517900	PINION NUT WASHER	1	DR/DH	2005+
7	40047860	PINION YOKE (PILOTED)	1	DR/DH	2005+
8	40047860	PINION YOKE (PILOTED)	1	DR/DH	2005+
9	9417781	SMALL PINION BEARING ASM (CUP & CONE)	1	DR/DH	2005+
10	14012691	COLLAPSIBLE SPACER	1	DR/DH	2005+
11	40020760	UPPER BALL JOINT	2	DR/DH	2005+
12	74004592	KNUCKLE - RIGHT HAND	1	DR/DH	2005-2008
12	74004593	KNUCKLE - LEFT HAND	1	DR/DH	2005-2008
12		KNUCKLE - RIGHT HAND	1	DR/DH	2009+
12		KNUCKLE - LEFT HAND	1	DR/DH	2009+
13	11516843	UPPER BALL JOINT NUT	2	DR/DH	2005+
14	40010451	LOWER BALL JOINT	2	DR/DH	2005+
14	40010635	LOWER BALL JOINT SEAL	2	DR/DH	2005+
15	40012013	LOWER BALL JOINT NUT	2	DR/DH	2005+
16	457108	LARGE PINION BEARING (CUP & CONE)	1	DR/DH	2005+
17	40022464	RING & PINION GEAR SET (4:56)	1	DR/DH	2005+
18	11505123	DIFF. CASE BEARING ASM (CUP & CONE)	2	DR/DH	2005+
19	14012753	DIFF. BEARING ADJUSTER NUT	2	DR/DH	2005+
20	40011865	AXLE SHAFT SEAL	2	DR/DH	2005+
21	40047279	DIFFERENTIAL CASE & COIL ASM (TRACRITE® EL; DIFF. WITH INTERNALS)	1	DR/DH	2005+
22	40031306	RING GEAR BOLT W. ADHESIVE	12	DR/DH	2005+
23	40042919	ASM COIL	1	DR/DH	2005+
24		HOUSING		FOR REFERENCE ONLY	
25	40011815	RUBBER OVER METAL COVERPAN GASKET	1	DR/DH	2005+
26	40063948	COVERPAN	1	DR/DH	2005+

VEHICLE REFERENCE GUIDE

RAM 2500/3500 2003+



Demand the original.

Axle Components | Driveshaft Components | Repair Kits



AAM 925 14 BOLT with e-lock

74010009 9.25" FRONT BEAM - MASTER INSTALL KIT

Ram 2500/3500

MODEL YEAR 2003 to Current

AAM PART #	DESCRIPTION	QTY
40011986	BOLT W/ WASHER & ADHESIVE	8
40011815	RUBBER OVER METAL COVERPAN GASKET	1
40021280	COTTER PIN	2
40010627	HUB NUT	2
40031306	RING GEAR BOLT W/ ADHESIVE	12
14012691	COLLAPSIBLE SPACER	1
	PINION SEAL SLEEVE	1
9783762	PREVAILING TORQUE PINION NUT	1
	PINION SHIM	18
40017140	TRIPLE LIP PINION SEAL	1
40011965	OUTPUT SEAL	2
40007601	MAGNETIC FILL/DRAIN PLUG	1
517900	PINION NUT WASHER	1
40010628	HUB NUT WASHER	2
40002169	COVERPAN BOLT W/ ADHESIVE	14

74067005 9.25" FRONT CLAMSHELL - MASTER BEARING KIT

Ram 2500/3500

MODEL YEAR 2003 to Current

AAM PART #	DESCRIPTION	QTY
	PINION HEAD BEARING ROLLER	1
	PINION HEAD BEARING RACE	1
	PINION TAIL BEARING ROLLER	1
	PINION TAIL BEARING RACE	1
74003762	PREVAILING TORQUE PINION NUT	1
74007900	PINION NUT WASHER	1
74002691	COLLAPSIBLE SPACER	1
	DIFF BEARING ROLLER	2
	DIFF BEARING RACE	2
	PINION SEAL	1

Ram 9.25" Front Beam Axle

74042462 9.25" FRONT BEAM - 33 TOOTH - DIFFERENTIAL GEAR KIT

RAM 2500/3500

MODEL YEAR 2007 to Current

AAM PART #	DESCRIPTION	QTY
	PINION GEAR	2
	SIDE THRUST WASHER	2
	SIDE GEAR	2
	PINION SHAFT SCREW	1
	PINION SHAFT	1
	PINION THRUST SPHERICAL WASHER	2

74047037 9.25" FRONT BEAM - 33 TOOTH - DIFFERENTIAL GEAR KIT

RAM 2500/3500

MODEL YEAR 2003 to 2006

AAM PART #	DESCRIPTION	QTY
	PINION FLAT BACK GEAR	2
	PINION THRUST WASHER	2
	SIDE GEAR	2
	PINION SHAFT	1
	SIDE THRUST WASHER	2
	PINION SHAFT LOCK SCREW	1

74050016 9.25" FRONT BEAM - OUTPUT SHAFT SEAL KIT

RAM 2500/3500

MODEL YEAR 2003 to Current

AAM PART #	DESCRIPTION	QTY
40011965	OUTPUT SEAL	2
40011986	BOLT W/ WASHER & ADHESIVE	8

74030009 9.25" FRONT BEAM - COVERPAN KIT

RAM 2500/3500

MODEL YEAR 2003 to Current

AAM PART #	DESCRIPTION	QTY
40063948	COVERPAN	1
40011815	RUBBER OVER METAL COVERPAN GASKET	1
40002169	COVERPAN BOLT W/ ADHESIVE	14
40007601	MAGNETIC FILL/DRAIN PLUG	1

74020009 9.25" FRONT BEAM - PINION SEAL KIT

RAM 2500/3500

MODEL YEAR 2003 to Current

AAM PART #	DESCRIPTION	QTY
40017140	PINION SEAL	1
14012691	COLLAPSIBLE SPACER	1
9783762	PREVAILING TORQUE PINION NUT	1
	PINION SEAL SLEEVE	1
517900	PINION NUT WASHER	1

74100001 9.25" FRONT BEAM - BALL JOINT KIT

RAM 2500/3500

MODEL YEAR 2003 to Current

AAM PART #	DESCRIPTION	QTY
40010451	LOWER BALL JOINT	1
40020760	UPPER BALL JOINT	1
40010635	BALL JOINT SEAL	1
40011969	SNAP RING	1
40012013	M20 TORQUE PREVAILING NUT	1
11516133	M16 TORQUE PREVAILING NUT	1
40011986	WHEEL HUB BOLTS	4

74110001 9.25" FRONT BEAM - WHEEL JOINT KIT (1485)

RAM 2500/3500

MODEL YEAR 2003 to 2009

AAM PART #	DESCRIPTION	QTY
40022782	U JOINT 1485	2
40023193	RING, RETAINING	8
40011848	DEFLECTOR, AXLE HUB BRG	2
40011986	BOLT, FRONT WHEEL HUB	8
40010627	NUT, HUB	2
40010628	WASHER, HUB NUT	2
40021280	PIN, COTTER (HUB NUT RETAINER)	2

74110002 9.25" FRONT BEAM - WHEEL JOINT KIT (1555)

RAM 2500/3500

MODEL YEAR 2010+

AAM PART #	DESCRIPTION	QTY
40069856	U JOINT 1555	2
40023193	RING, RETAINING	8
40011848	DEFLECTOR, AXLE HUB BRG	2
40011986	BOLT, FRONT WHEEL HUB	8
40010627	NUT, HUB	2
40010628	WASHER, HUB NUT	2
40021280	PIN, COTTER (HUB NUT RETAINER)	2

VEHICLE REFERENCE GUIDE

RAM 2500/3500 2003+