



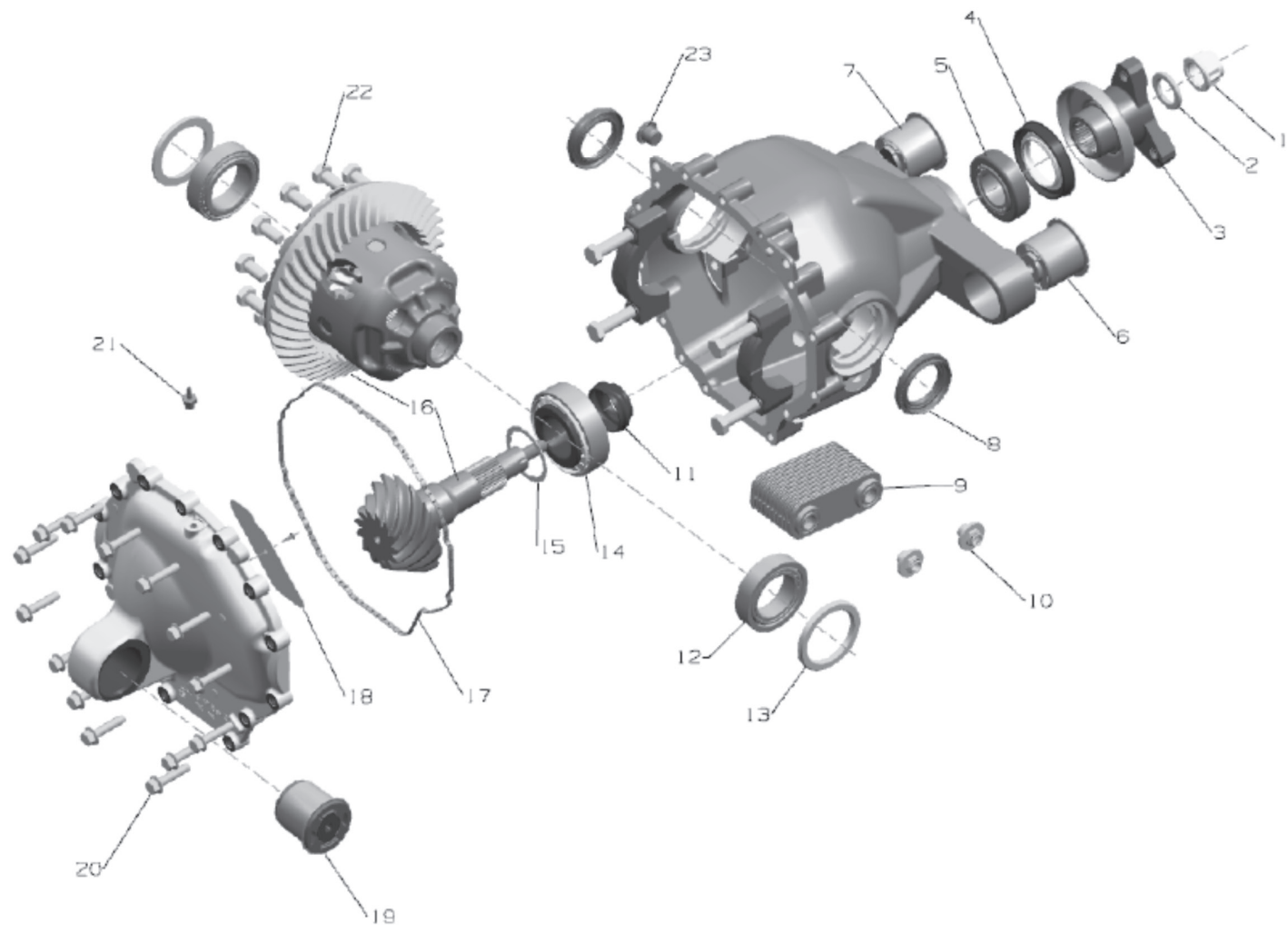
Demand the original.

Axle Components | Driveshaft Components | Repair Kits



AAM 250mm

GM 250mm Rear Axle



AAM PART NUMBER	OE PART NUMBER	AAM RING & PINION GEARSETS	REQ	USAGE	MODEL YEAR
40090948		RING & PINION GEARSET 3:23 RATIO	1	CAMARO	2013+
40090947		RING & PINION GEARSET 3:73 RATIO	1	CAMARO	2013+

AAM PART NUMBER	OE PART NUMBER	AAM DIFF CASES	REQ	USAGE	MODEL YEAR
40104505	20964029	TRACRITE PC - DIFFERENTIAL ASM, LIMITED SLIP	1	CAMARO	2013+

AAM PART NUMBER	OE PART NUMBER	AAM COMPONENTS	REQ	USAGE	MODEL YEAR
40085863		PINION NUT	1	CAMARO	2013+
40071720		RING GEAR BOLT (M 14 X 1.5)	12	CAMARO	2013+
40088189		PINION FLANGE ASM	1	CAMARO	2013+
40069319		PINION SEAL	1	CAMARO	2013+
40088197		UNITIZED OUPUT SEAL	2	CAMARO	2013+
40090638		PINION BEARING SPACER	1	CAMARO	2013+

74010036 GM 250MM CAMARO MASTER INSTALL KIT
Camaro ZL1

MODEL YEAR 2013+

AAM PART #	O.E. PART #	DESCRIPTION	QTY
40033325		COVERPAN BOLT	14
40060604		FILL/DRAIN PLUG	1
40069319		SEAL, PINION	1
40071720		RING GEAR BOLT, M14 X 1.5	12
40085863		PINION NUT	1
40066428		VENT HOSE CONNECTOR	1
40088193		RUBBER OVER METAL COVER GASKET	1
40088197		OUTPUT SEAL ASM	2
40090638		COLLAPSIBLE SPACER	1
40000294		CONE, BEARING	1
40000295		CUP, BEARING	1
40081079		BEARING, TAPERED CONE	2
40081080		BEARING, TAPERED RACE	2
40081331		BEARING, TAPERED CONE	1
40081332		BEARING, TAPERED RACE	1

VEHICLE REFERENCE GUIDE

ZETA CAMARO