



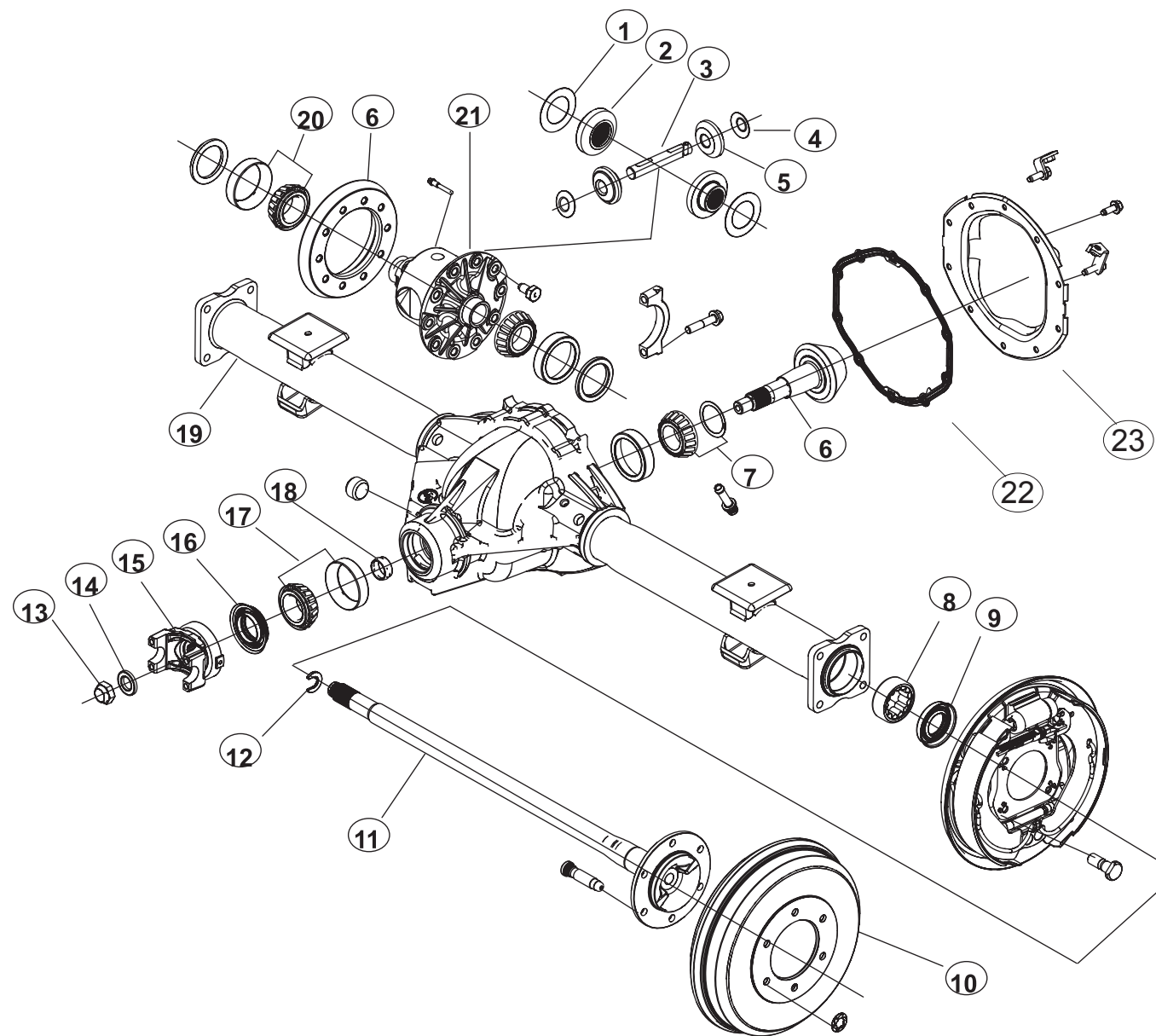
**Demand the original.**

Axle Components | Driveshaft Components | Repair Kits



**AAM 800 10 BOLT**

**GM 8.0" REAR AXLE**



ILL #	AAM PART NUMBER	OE PART NUMBER	DESCRIPTION	REQ	USAGE	MODEL YEAR
1	AVAILABLE IN KIT ONLY		SIDE GEAR THRUST WASHER	2	ST	2004+
2	AVAILABLE IN KIT ONLY		SIDE GEAR	2	ST	2004+
3	AVAILABLE IN KIT ONLY		PINION SHAFT	1	ST	2004+
3	AVAILABLE IN KIT ONLY		PINION SHAFT LOCK SCREW			
4	AVAILABLE IN KIT ONLY		PINION GEAR THRUST WASHER	2	ST	2004+
5	AVAILABLE IN KIT ONLY		PINION GEAR	2	ST	2004+
6	40001438	12471429	RING & PINION GEARSET (4.10 RATIO; 2 CUT)	1	ST	2004+
6	40001437	12471428	RING & PINION GEARSET (3.73 RATIO; 2 CUT)	1	ST	2004+
7	74003758	26053758	LARGE PINION BEARING ASM (CUP & CONE)	1	ST	2004+
8	40008157	12479031	ROLLER BEARING ASM	2	ST	2004+
9			AXLE SHAFT SEAL	2	ST	2004+
10			DRUM	2	ST	2004+
11	40016434	19133409	AXLE SHAFT - LEFT HAND (846 MM 28 TOOTH; 6 BOLT)	1	GMT 360	2002+
11	40016435	19133410	AXLE SHAFT - RIGHT HAND (798 MM 28 TOOTH; 6 BOLT)	1	GMT 360	2002+
11	40012450	12479338	AXLE SHAFT - RIGHT HAND (727 MM; 28 TOOTH; 6 BOLT; DRUM) 4X2	1	GMT 355	2003-2007
11	40012451	12479339	AXLE SHAFT - LEFT HAND (781 MM; 28 TOOTH; 6 BOLT; DRUM) 4X2	1	GMT 355	2003-2007
11	40012448	12479336	AXLE SHAFT - RIGHT HAND (757 MM; 28 TOOTH; 6 BOLT; DRUM)	1	ST	2004+
11	74022449	12479337	AXLE SHAFT - LEFT HAND (810 MM; 28 TOOTH; 6 BOLT) 4X4	1	GMT 355	2003-2007
11	40016447		AXLE SHAFT W/ STUDS - LEFT HAND (846 MM 28 TOOTH; 6 BOLT)	1	GMT 360	2004+
11	40016448		AXLE SHAFT W/ STUDS - RIGHT HAND (798 MM 28 TOOTH; 6 BOLT)	1	GMT 360	2004+
11	40045613	19208246	AXLE SHAFT - LEFT HAND (822 MM 28 TOOTH; 6 BOLT) 4X4	1	GMT 355	2008+
11	40045614	19208248	AXLE SHAFT - RIGHT HAND (768 MM 28 TOOTH; 6 BOLT) 4X4	1	GMT 355	2008+
12	74004171	344171	AXLE C LOCK	2	ST	2004+
13	74003762	9783762	PREVAILING TORQUE PINION NUT	1	ST	2004+
14	74007900	517900	PINION NUT WASHER	1	ST	2004+
15	40016324	12479331	PINION YOKE (1344 U-JOINT; 4 FOOTED)	1	ST	2004+
16	40006689	12471523	PINION SEAL	1	ST	2004+
17	74007784	9417784	SMALL PINION BEARING ASM (CUP & CONE)	1	ST	2004+
18	74005792	9785792	COLLAPSIBLE SPACER	1	ST	2004+
19			AXLE HOUSING		FOR REFERENCE ONLY	
20	74002361	26062361	DIFF. CASE BEARING ASM (CUP & CONE)	2	ST	2004+
21	40004296	12479021	DIFFERENTIAL OPEN CASE (WITHOUT INTERNALS)	1	ST	2004+
21	40004373	12479021	DIFFERENTIAL OPEN CASE ASSEMBLY (WITH INTERNALS)	1	S;T	2002+
22	40004267	12479020	RUBBER OVER METAL COVERPAN GASKET	1	ST	2002+
23	40051710	19177715	COVERPAN	1	ST	2002+

**VEHICLE REFERENCE GUIDE**

- S TRUCK - 2-WHEEL DRIVE MID-SIZE PICK-UPS AND BLAZERS - POSTAL TRUCKS 1982-1985
- T TRUCK - 4-WHEEL DRIVE MID-SIZE PICK-UPS AND BLAZERS



Demand the original.

Axle Components | Driveshaft Components | Repair Kits



AAM 800 10 BOLT

74010005 8.0" REAR 10 BOLT - MASTER INSTALL KIT

Colorado, Canyon, Trailblazer, Envoy, Rainier, Bravada

MODEL YEAR 2002 to Current

Table with 4 columns: AAM PART #, O.E. PART #, DESCRIPTION, QTY. Rows include SIDE SHIM (32), SERRATED RING GEAR BOLT W/ ADHESIVE (10), COVERPAN BOLT W/ ADHESIVE (10), RUBBER OVER METAL COVERPAN GASKET (1), PINION SEAL SLEEVE (1), PINION SHIM (31), OUTPUT SEAL (2), PINION SEAL (1), COLLAPSIBLE SPACER (1), SPECIAL COVERPAN BOLT (1), PINION NUT WASHER (2), PREVAILING TORQUE PINION NUT (1), AXLE C LOCK (2).

74067013 8.0" REAR 10 BOLT - MASTER BEARING KIT

Trailblazer, Envoy, Rainier, Bravada, Colorado, Canyon

MODEL YEAR 2002 to Current

Table with 4 columns: AAM PART #, O.E. PART #, DESCRIPTION, QTY. Rows include DIFF BEARING ROLLER (2), DIFF BEARING RACE (2), PREVAILING TORQUE PINION NUT (1), PINION NUT WASHER (1), PINION SEAL (1), COLLAPSIBLE SPACER (1), PINION HEAD BEARING ROLLER (1), PINION HEAD BEARING RACE (1).

GM 8.0" REAR AXLE

74046651 8.0" REAR 10 BOLT -28 TOOTH - DIFFERENTIAL GEAR KIT

Trailblazer, Envoy, Rainier, Bravada, Colorado, Canyon

MODEL YEAR 2004 to Current

Table with 4 columns: AAM PART #, O.E. PART #, DESCRIPTION, QTY. Rows include SIDE GEAR (2), PINION THRUST WASHER (2), PINION GEAR (2), PINION SHAFT (1), PINION SHAFT LOCK SCREW (1), SIDE THRUST WASHER (2).

74020005 8.0" 10 BOLT REAR - PINION SEAL KIT

Colorado, Canyon, Trailblazer, Envoy, Rainier, Bravada

MODEL YEAR 2000 to Current

Table with 4 columns: AAM PART #, O.E. PART #, DESCRIPTION, QTY. Rows include PINION SEAL (1), PREVAILING TORQUE PINION NUT (1), COLLAPSIBLE SPACER (1), PREVAILING TORQUE PINION NUT (1), PINION NUT WASHER (1).

74050010 8.0" REAR - OUTPUT SHAFT SEAL KIT

Colorado, Canyon, Trailblazer, Envoy, Rainier, Bravada

MODEL YEAR 2002 to Current

Table with 4 columns: AAM PART #, O.E. PART #, DESCRIPTION, QTY. Rows include OUTPUT SEAL (2), TONE RING (2), ROLLER BEARING ASM (2), AXLE C LOCK (2).

74030003 8.0" REAR 10 BOLT - COVERPAN KIT

Colorado, Canyon

MODEL YEAR 2002 to Current

Table with 4 columns: AAM PART #, O.E. PART #, DESCRIPTION, QTY. Rows include RUBBER OVER METAL COVERPAN GASKET (1), COVERPAN (1), COVERPAN BOLT W/ ADHESIVE (10), SPECIAL COVERPAN BOLT (1).

74030004 8.0" REAR 10 BOLT - COVERPAN KIT

Trailblazer, Envoy, Rainier, Bravada

MODEL YEAR 2002 to 2009

Table with 4 columns: AAM PART #, O.E. PART #, DESCRIPTION, QTY. Rows include RUBBER OVER METAL COVERPAN GASKET (1), COVERPAN (1), COVERPAN BOLT W/ ADHESIVE (10).

NOTES

Series of horizontal lines for taking notes.