

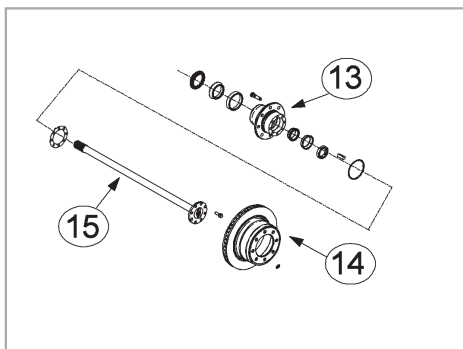
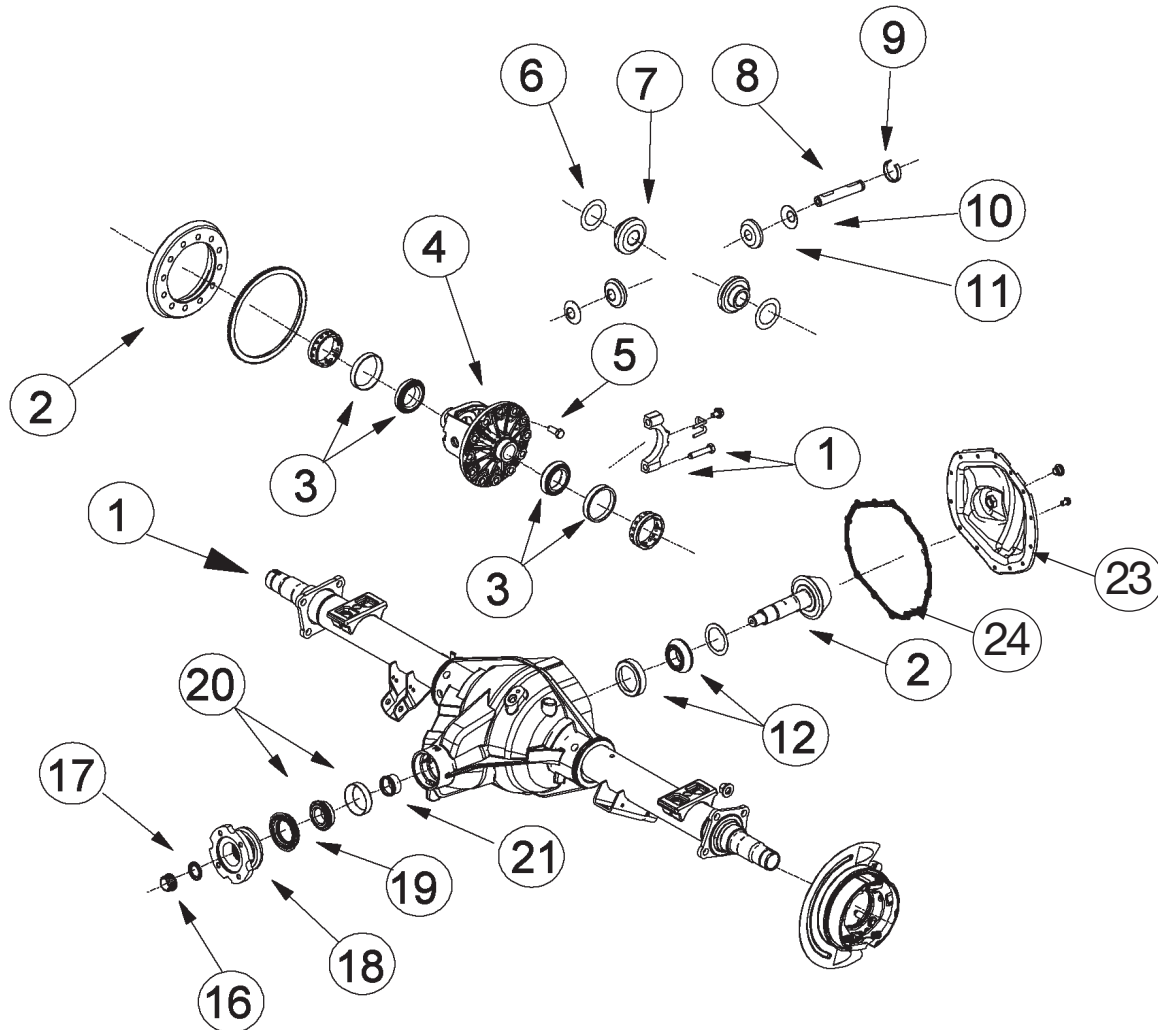


Demand the original.

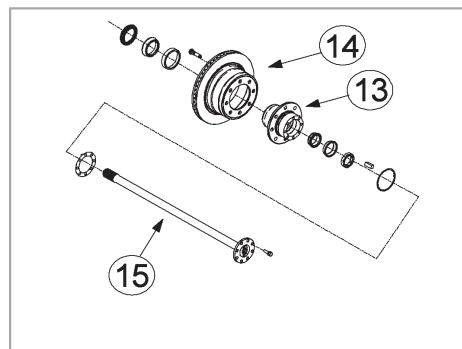
Axle Components | Driveshaft Components | Repair Kits

AAM 1150 14 BOLT

RAM 11.5" Rear Axle Leaf Spring Suspension



SINGLE WHEEL



DUAL WHEEL

VEHICLE REFERENCE GUIDE

RAM 2500	2003-2013
RAM 3500	2003+

ILL #	CATALOG PART NUMBER	AAM PART NUMBER	DESCRIPTION	REQ	USAGE	MODEL YEAR
1			AXLE HOUSING		FOR REFERENCE ONLY	
2	40101174		RING & PINION GEAR KIT (3.42 RATIO)	1	RAM2500 RAM 3500	2003-2013 2003+
2	40101173		RING & PINION GEAR KIT (3.73 RATIO)	1	RAM2500 RAM 3500	2003-2013 2003+
2	40094550		RING & PINION GEAR KIT (4.10 RATIO)	1	RAM2500 RAM 3500	2003-2013 2003+
3	40016979		DIFFERENTIAL BEARING ASSEMBLY	2	RAM	2003-2013 2003+
4	40101021		DIFFERENTIAL OPEN CASE (WITHOUT INTERNALS)	1	RAM	2003+
4	40101020		DIFFERENTIAL OPEN CASE ASSEMBLY (WITH INTERNALS)	1	RAM	2003+
4	40099548		HELICAL LIMITED SLIP DIFF ASSEMBLY - TRACRITE® GT	1	RAM	2003+
5	40022812		RING GEAR BOLT W/ ADHESIVE	12	RAM	2003+
6	AVAILABLE IN KIT ONLY		SIDE THRUST WASHER	2	RAM	2003+
7	AVAILABLE IN KIT ONLY		SIDE GEAR	2	RAM	2003+
8	AVAILABLE IN KIT ONLY		PINION SHAFT	1	RAM	2003+
9	AVAILABLE IN KIT ONLY		PINION SHAFT RETAINING RING	1	RAM	2003+
10	AVAILABLE IN KIT ONLY		PINION THRUST WASHER	2	RAM	2003+
11	AVAILABLE IN KIT ONLY		PINION GEAR	2	RAM	2003+
12	26064500		PINION HEAD BEARING ASSEMBLY	1	RAM	2003+
12	40089893		PINION HEAD BEARING ASSEMBLY	1	RAM	2011+
13			SINGLE WHEEL HUB		FOR REFERENCE ONLY	
14			SINGLE WHEEL ROTOR		FOR REFERENCE ONLY	
14			HUB & ROTOR ASSEMBLY, DUAL WHEEL		FOR REFERENCE ONLY	
15	40022280		AXLE SHAFT (1019 MM; 30 TOOTH; 8 BOLT; DUAL WHEEL; DISC)	2	RAM	2003+
15	40041952		AXLE SHAFT (968 MM; 30 TOOTH; 8 BOLT; DISC)	2	RAM	2007+
15	40022279		AXLE SHAFT SW (935MM; 30 TOOTH; 8 BOLT) LH/RH	2	RAM	2003+
15	40042351		AXLE SHAFT DW (1023MM; 30 TOOTH; 8 BOLT) LH/RH	2	RAM	2003+
16	40003027		PINION NUT	1	RAM	2003+
17	40003255		PINION NUT WASHER	1	RAM	2003+
18	40062272		PINION YOKE (PILOTED; SHORT 63:6)	1	RAM	2003+
19	26064030		TRIPLE LIP PINION SEAL	1	RAM	2003+
20	9418356		PINION TAIL BEARING ASSEMBLY	1	RAM	2003+
21	40011051		COLLAPSIBLE SPACER	1	RAM	2003+
23	40013758		COVERPAN	1	RAM	2003+
24	40005967		RUBBER OVER METAL COVERPAN GASKET	1	RAM	2003+



Demand the original.

Axle Components | Driveshaft Components | Repair Kits

AAM 1150 14 Bolt

74010016 11.5" REAR 14 BOLT - MASTER INSTALL KIT

RAM 2500 2003-2013

RAM 3500 2003+

AAM PART #	DESCRIPTION	QTY
26060977	PINION SEAL SLEEVE	1
40001357	RUBBER OVER METAL COVERPAN GASKET	1
40005967	RUBBER OVER METAL COVERPAN GASKET	1
	PINION SHIM	18
40022812	RING GEAR BOLT W/ ADHESIVE	14
40020764	HEX BOLT W/ ADHESIVE	16
40007601	MAGNETIC FILL/DRAIN PLUG	1
40042937	FILL/DRAIN PLUG	1
40051851	HUB GASKET	4
40011051	COLLAPSIBLE SPACER	1
40041239	SPECIAL COVERPAN BOLT	2
40023476	WHEEL BOLT W/ ADHESIVE	16
40003027	PINION NUT	1
26064030	TRIPLE LIP PINION SEAL	2
40003255	PINION NUT WASHER	1
40002169	COVERPAN BOLT W/ ADHESIVE	14

74067011 11.5" REAR 14 BOLT - MASTER BEARING KIT

RAM 2500 2003-2013

RAM 3500 2003+

AAM PART #	DESCRIPTION	QTY
40016979	DIFFERENTIAL BEARING ASSEMBLY	2
26064500	PINION HEAD BEARING ASSEMBLY	1
9418356	PINION TAIL BEARING ASSEMBLY	1
40011051	COLLAPSIBLE SPACER	1
40003255	PINION FLANGE WASHER	1
40003027	PINION NUT	1
26064030	PINION SEAL	1

RAM 11.5" Rear Axle

74046293 11.5" REAR 14 BOLT - 30 TOOTH - DIFFERENTIAL GEAR KIT

RAM 2500/3500

MODEL YEAR 2003-2010

AAM PART #	DESCRIPTION	QTY
	PINION GEAR	2
	SIDE THRUST WASHER	2
	PINION SHAFT RETAINING RING	1
	SIDE GEAR	2
	PINION SHAFT	1
	PINION THRUST WASHER	2

74020013 11.5" REAR 14 BOLT - PINION SEAL KIT

RAM 2500 2003-2013

RAM 3500 2003+

AAM PART #	DESCRIPTION	QTY
26064030	TRIPLE LIP PINION SEAL	1
40003255	PINION NUT WASHER	1
40011051	COLLAPSIBLE SPACER	1
40003027	PINION NUT	1
26060977	PINION SEAL SLEEVE	1

74030016 11.5" REAR STEEL - COVERPAN KIT

RAM 2500 2003-2013

RAM 3500 2003+

AAM PART #	DESCRIPTION	QTY
40013758	COVERPAN	1
40005967	RUBBER OVER METAL COVERPAN GASKET	1
40002169	COVERPAN BOLT W/ ADHESIVE	14
40007601	MAGNETIC FILL/DRAIN PLUG	1

VEHICLE REFERENCE GUIDE

RAM 2500	2003-2013
RAM 3500	2003+

**74070005 11.5" REAR SINGLE WHEEL -
WHEEL END KIT**

*RAM 2500 2003-2013
RAM 3500 2003+*

AAM PART #	DESCRIPTION	QTY
40105400RACE	INNER WHEEL END RACE	1
40105400CONE	INNER WHEEL END BEARING	1
9428909	OUTER WHEEL END BEARING	1
9428539	OUTER WHEEL END RACE	1
40015029	HUB SEAL	2
341509	HUB NUT	2
40047505	HUB GASKET	2
	RETAINING RING - HUB	2
	HUB NUT LOCK	2
40020764	HEX BOLT W/ ADHESIVE	16

**74070006 11.5" REAR DUAL WHEEL -
WHEEL END KIT**

*RAM 2500 2003-2013
RAM 3500 2003+*

AAM PART #	DESCRIPTION	QTY
40105402RACE	INNER WHEEL END RACE	1
40105402CONE	INNER WHEEL END BEARING	1
40012061	HUB SEAL	2
341509	HUB NUT	2
40047505	HUB GASKET	2
	RETAINING RING - HUB	2
	HUB NUT LOCK	2
40020764	HEX BOLT W/ ADHESIVE	16
9428909	OUTER WHEEL END BEARING	1
9428539	OUTER WHEEL END RACE	1

**74030017 11.5" REAR ALUMINUM -
COVERPAN KIT**

*RAM 2500/3500
MODEL YEAR 2003 to Current*

AAM PART #	DESCRIPTION	QTY
40057537	COVERPAN	1
40005967	RUBBER OVER METAL COVERPAN GASKET	1
40052287	COVERPAN BOLT W/ ADHESIVE	14
40007601	MAGNETIC FILL/DRAIN PLUG	1

**74067018 11.5" REAR 14 BOLT -
MASTER BEARING KIT**

*RAM 2500 2011-2013
RAM 3500 2011+*

AAM PART #	DESCRIPTION	QTY
40016979	DIFFERENTIAL BEARING ASSEMBLY	2
40089893	PINION HEAD BEARING ASSEMBLY	1
9418356	PINION TAIL BEARING ASSEMBLY	1
40011051	COLLAPSIBLE SPACER	1
40003255	PINION FLANGE WASHER	1
40003027	PINION NUT	1
26064030	PINION SEAL	1