



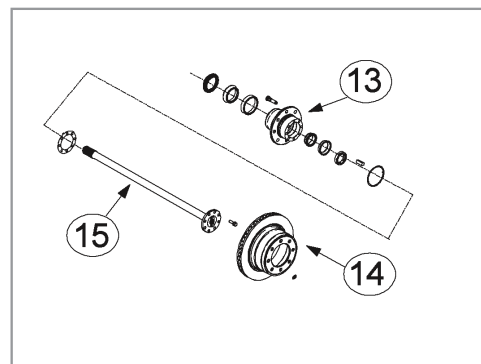
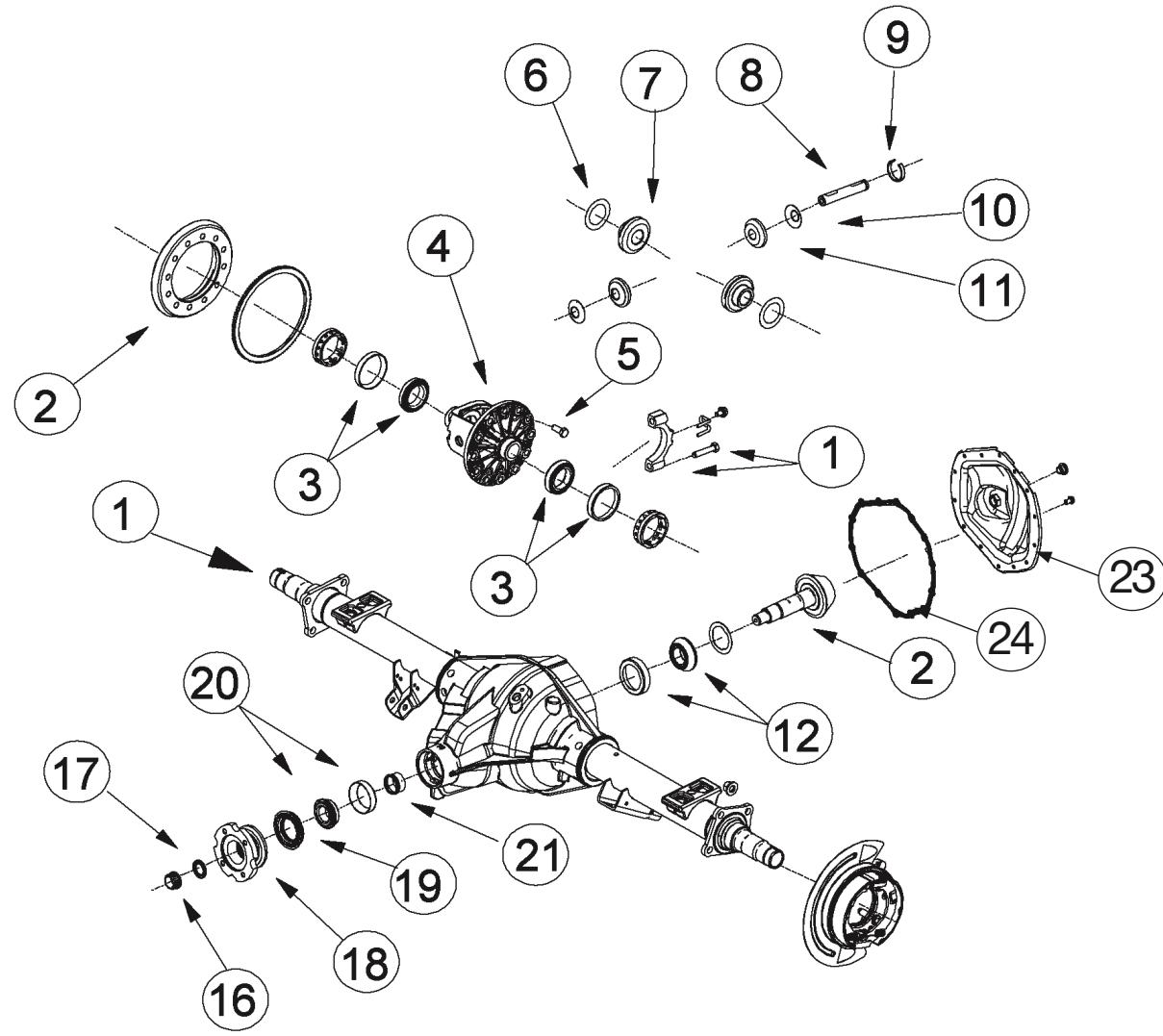
Demand the original.

Axle Components | Driveshaft Components | Repair Kits

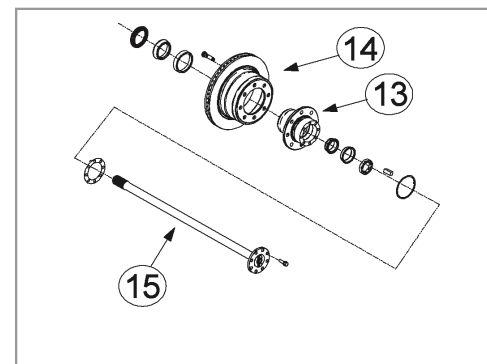


AAM 1150 14 BOLT

Ram 11.5" Rear Axle



SINGLE WHEEL



DUAL WHEEL

ILL #	AAM PART NUMBER	DESCRIPTION	REQ	USAGE	MODEL YEAR
1		AXLE HOUSING		FOR REFERENCE ONLY	
2	40088177	RING & PINION GEAR SET (3.73 RATIO; 2 CUT)	1	RAM	2003+
2	40088195	RING & PINION GEAR SET (4.10 RATIO; 2 CUT)	1	RAM	2003+
2	40101174	RING & PINION GEAR SET (3.42 RATIO; 2 CUT)	1	RAM	2007+
3	26064499	DIFF. CASE BEARING ASM (CUP & CONE)	2	RAM	2003+
4	40101021	DIFFERENTIAL OPEN CASE (WITHOUT INTERNALS)	1	RAM	2003+
4	40101020	DIFFERENTIAL OPEN CASE ASSEMBLY (WITH INTERNALS)	1	RAM	2003+
4	40099548	HELICAL LIMITED SLIP DIFF ASSEMBLY - TRACRITE® GT	1	RAM	2003+
5	40022812	RING GEAR BOLT W/ ADHESIVE	12	RAM	2003+
6	AVAILABLE IN KIT ONLY	SIDE THRUST WASHER	2	RAM	2003+
7	AVAILABLE IN KIT ONLY	SIDE GEAR	2	RAM	2003+
8	AVAILABLE IN KIT ONLY	PINION SHAFT	1	RAM	2003+
9	AVAILABLE IN KIT ONLY	PINION SHAFT RETAINING RING	1	RAM	2003+
10	AVAILABLE IN KIT ONLY	PINION THRUST WASHER	2	RAM	2003+
11	AVAILABLE IN KIT ONLY	PINION GEAR	2	RAM	2003+
12	26064500	LARGE PINION BEARING ASM (CUP & CONE)	1	RAM	2003+
13		SINGLE WHEEL HUB		FOR REFERENCE ONLY	
14		SINGLE WHEEL ROTOR		FOR REFERENCE ONLY	
14		HUB & ROTOR ASSEMBLY, DUAL WHEEL		FOR REFERENCE ONLY	
15	40022280	AXLE SHAFT (1019 MM; 30 TOOTH; 8 BOLT; DUAL WHEEL; DISC)	2	RAM	2003+
15	40041952	AXLE SHAFT (968 MM; 30 TOOTH; 8 BOLT; DISC)	2	RAM	2007+
15	40022279	AXLE SHAFT SW (935MM; 30 TOOTH; 8 BOLT) LH/RH	2	RAM	2003+
15	40042351	AXLE SHAFT DW (1023MM; 30 TOOTH; 8 BOLT) LH/RH	2	RAM	2003+
16	40003027	PINION NUT	1	RAM	2003+
17	40003255	PINION NUT WASHER	1	RAM	2003+
18	40062272	PINION YOKE (PILOTED; SHORT 63:6)	1	RAM	2003+
19	26064030	TRIPLE LIP PINION SEAL	1	RAM	2003+
20	9418356	SMALL PINION BEARING ASM (CUP & CONE)	1	RAM	2003+
21	40011051	COLLAPSIBLE SPACER	1	RAM	2003+
22	40023048	EXCITER RING	1	RAM	2003+
23	40013758	COVERPAN	1	RAM	2003+
24	40005967	RUBBER OVER METAL COVERPAN GASKET	1	RAM	2003+

VEHICLE REFERENCE GUIDE

RAM 2500/3500 2003+



Demand the original.

Axle Components | Driveshaft Components | Repair Kits



AAM 1150 14 BOLT

Ram 11.5" Rear Axle

74010016 11.5" REAR 14 BOLT - MASTER INSTALL KIT

Ram 2500/3500

MODEL YEAR 2003 to Current

AAM PART #	DESCRIPTION	QTY
26060977	PINION SEAL SLEEVE	1
40001357	RUBBER OVER METAL COVERPAN GASKET	1
40005967	RUBBER OVER METAL COVERPAN GASKET	1
	PINION SHIM	18
40022812	RING GEAR BOLT W/ ADHESIVE	14
40020764	HEX BOLT W/ ADHESIVE	16
40007601	MAGNETIC FILL/DRAIN PLUG	1
40042937	FILL/DRAIN PLUG	1
40051851	HUB GASKET	4
40011051	COLLAPSIBLE SPACER	2
40041239	SPECIAL COVERPAN BOLT	2
40023476	WHEEL BOLT W/ ADHESIVE	16
40003027	PINION NUT	1
26064030	TRIPLE LIP PINION SEAL	2
40003255	PINION NUT WASHER	1
40002169	COVERPAN BOLT W/ ADHESIVE	14

74046293 11.5" REAR 14 BOLT - 30 TOOTH - DIFFERENTIAL GEAR KIT

RAM 2500/3500

MODEL YEAR 2003 to 2010

AAM PART #	DESCRIPTION	QTY
	PINION GEAR	2
	SIDE THRUST WASHER	2
	PINION SHAFT RETAINING RING	1
	SIDE GEAR	2
	PINION SHAFT	1
	PINION THRUST WASHER	2

74030017 11.5" REAR ALUMINUM - COVERPAN KIT

RAM 2500/3500

MODEL YEAR 2003 to Current

AAM PART #	DESCRIPTION	QTY
40057537	COVERPAN	1
40005967	RUBBER OVER METAL COVERPAN GASKET	1
40052287	COVERPAN BOLT W/ ADHESIVE	14
40007601	MAGNETIC FILL/DRAIN PLUG	1

74070006 11.5" REAR DUAL WHEEL - WHEEL END KIT

RAM 2500/3500

MODEL YEAR 2003 to Current

AAM PART #	DESCRIPTION	QTY
40105402RACE	INNER WHEEL END RACE	1
40105402CONE	INNER WHEEL END BEARING	1
40012061	HUB SEAL	2
341509	HUB NUT	2
40047505	HUB GASKET	2
	RETAINING RING - HUB	2
	HUB NUT LOCK	2
40020764	HEX BOLT W/ ADHESIVE	16
9428909	OUTER WHEEL END BEARING	1
9428539	OUTER WHEEL END RACE	1

74020013 11.5" REAR 14 BOLT - PINION SEAL KIT

RAM 2500/3500

MODEL YEAR 2001 to Current

AAM PART #	DESCRIPTION	QTY
26064030	TRIPLE LIP PINION SEAL	1
40003255	PINION NUT WASHER	1
40011051	COLLAPSIBLE SPACER	1
40003027	PINION NUT	1
26060977	PINION SEAL SLEEVE	1

74070005 11.5" REAR SINGLE WHEEL - WHEEL END KIT

RAM 2500/3500

MODEL YEAR 2003 to Current

AAM PART #	DESCRIPTION	QTY
40105400RACE	INNER WHEEL END RACE	1
40105400CONE	INNER WHEEL END BEARING	1
9428909	OUTER WHEEL END BEARING	1
9428539	OUTER WHEEL END RACE	1
40015029	HUB SEAL	2
341509	HUB NUT	2
40047505	HUB GASKET	2
	RETAINING RING - HUB	2
	HUB NUT LOCK	2
40020764	HEX BOLT W/ ADHESIVE	16

74067011 11.5" REAR 14 BOLT - MASTER BEARING KIT

Ram 2500/3500

MODEL YEAR 2003 to Current

AAM PART #	DESCRIPTION	QTY
	PINION HEAD BEARING ASM (CUP & CONE)	1
	PINION TAIL BEARING ROLLER	1
	PINION TAIL BEARING RACE	1
	PINION SEAL	1
74003027	PINION NUT	1
74003244	PINION NUT WASHER	1
74001051	COLLAPSIBLE SPACER	1
74004499	DIFFERENTIAL BEARING ASM (CUP & CONE)	2

74030016 11.5" REAR STEEL - COVERPAN KIT

RAM 2500/3500

MODEL YEAR 2003 to Current

AAM PART #	DESCRIPTION	QTY
40013758	COVERPAN	1
40005967	RUBBER OVER METAL COVERPAN GASKET	1
40002169	COVERPAN BOLT W/ ADHESIVE	14
40007601	MAGNETIC FILL/DRAIN PLUG	1

74067018 11.5" REAR 14 BOLT - MASTER BEARING KIT

RAM 2500/3500

MODEL YEAR 2011 to Current

AAM PART #	DESCRIPTION	QTY
40016979	DIFFERENTIAL BEARING ASM (CUP & CONE)	2
40003027	PINION NUT	1
40003255	PINION NUT WASHER	1
40011051	COLLAPSIBLE SPACER	1
40090049	PINION TAIL BEARING ROLLER	1
40090051	PINION TAIL TAPERED RACE	1
09418357	ROLLER ASM, BRG	1
26064030	PINION SEAL	1
09418358	PINION TAIL BEARING RACE	1

VEHICLE REFERENCE GUIDE

RAM 2500/3500 2003+