



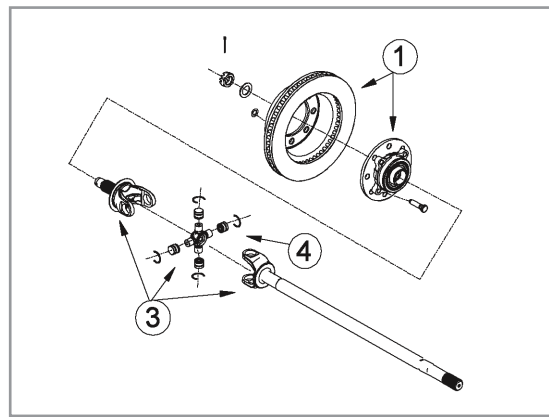
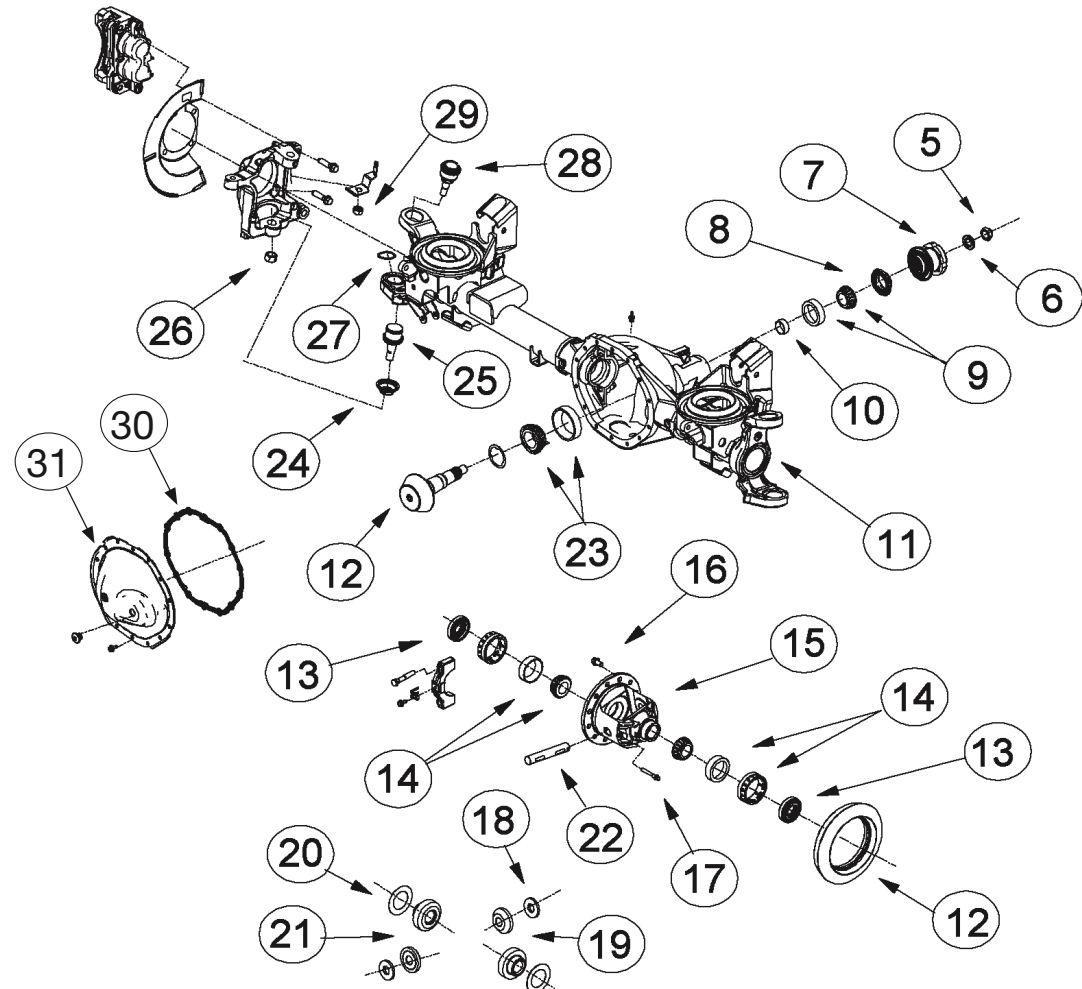
Demand the original.

Axle Components | Driveshaft Components | Repair Kits

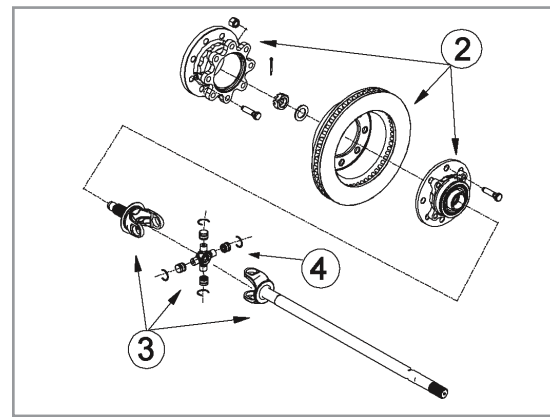


AAM 925 14 BOLT

Ram 9.25" Front Beam Axle



SINGLE WHEEL



DUAL WHEEL

VEHICLE REFERENCE GUIDE

RAM 2500/3500 2003+

ILL #	AAM PART NUMBER	DESCRIPTION	REQ	USAGE	MODEL YEAR
1		HUB & ROTOR ASM (SINGLE WHEEL)		FOR REFERENCE ONLY	
2		HUB & ROTOR ASM (DUAL WHEEL)		FOR REFERENCE ONLY	
3	40020735	U-JOINT & AXLE SHAFT ASM - RH LONG	1	DR/DH	2003-2008
3	40020734	U-JOINT & AXLE SHAFT ASM - LH SHORT	1	DR/DH	2003-2008
3	40052461	U-JOINT & AXLE SHAFT ASM - RH LONG	1	DR/DH	2009
3	40060488	UJT & AXLE SHAFT ASM - LEFT HAND SHORT	1	DR/DH	2010+
3	40050487	UJT & AXLE SHAFT ASM - RIGHT HAND LONG	1	DR/DH	2010+
3	40022771	AXLE SHAFT LH INNER 1485 SERIES	1	DR/DH	2003-2008
3	40022772	AXLE SHAFT RH INNER 1485 SERIES	1	DR/DH	2003-2008
3	40060431	AXLE SHAFT LH INNER 1550 SERIES	1	DR/DH	2010+
3	40060439	AXLE SHAFT RH INNER 1550 SERIES	1	DR/DH	2010+
3	40060443	LH / RH OUTER AXLE SHAFT 1550 SERIES	1	DR/DH	2010+
3	40072773	RH INNER/OUTER COMPLETE AXLE ASSEMBLY 1550 SERIES	1	DR/DH	2010+
3	40072774	LH INNER/OUTER COMPLETE AXLE ASSMEBLY 1550 SERIES	1	DR/DH	2010+
5	9783762	PREVAILING TORQUE PINION NUT	1	DR/DH	2003+
6	517900	PINION NUT WASHER	1	DR/DH	2003+
7	40047860	PINION YOKE (PILOTED)	1	DR/DH	2003+
8	40017140	PINION SEAL	1	DR/DH	2003+
9	9417781	SMALL PINION BEARING ASM (CUP & CONE)	1	DR/DH	2003+
10	14012691	COLLAPSIBLE SPACER	1	DR/DH	2003+
11		HOUSING		FOR REFERENCE ONLY	
12	40036546	RING & PINION GEAR SET (3.73 RATIO; 2 CUT)	1	DH	2007+
12	40041782	RING & PINION GEAR SET (4.10 RATIO; 2 CUT)	1	DH	2007+
12	40045288	RING & PINION GEAR SET (3.42 RATIO; 2 CUT)	1	DH	2008+
13	40011965	OUTPUT SEAL	2	DR/DH	2003+
14	11505123	DIFF. CASE BEARING ASM (CUP & CONE)	2	DR/DH	2003+
15	40031460	DIFFERENTIAL OPEN CASE ASM (SPHERICAL BACK TRACRITE® OPEN; WITH INTERNALS)	1	DH	2007+
15	40035046	DIFFERENTIAL OPEN CASE ASSEMBLY (WITH INTERNALS)	1	DR/DH	2003-2006
15	40047279	DIFFERENTIAL CASE & COIL ASM (TRACRITE® EL; DIFF. WITH INTERNALS)	1	DR/DH	2005+
16	40031306	RING GEAR BOLT W/ D62 ADHESIVE	12	DR/DH	2003+
17	AVAILABLE IN KIT ONLY	PINION SHAFT LOCK SCREW	1	DR/DH	2003+
18	AVAILABLE IN KIT ONLY	PINION THRUST FLAT WASHER	2	DR/DH	2003-2006
18	AVAILABLE IN KIT ONLY	PINION THRUST SPHERICAL WASHER	2	DH	2007+
19	AVAILABLE IN KIT ONLY	PINION FLAT BACK GEAR	2	DR/DH	2003-2006
19	AVAILABLE IN KIT ONLY	SIDE SPHERICAL BACK GEAR	2	DH	2007+
20	AVAILABLE IN KIT ONLY	SIDE THRUST WASHER	2	DR/DH	2003+
21	AVAILABLE IN KIT ONLY	SIDE FLAT BACK GEAR	2	DR/DH	2003-2006
21	AVAILABLE IN KIT ONLY	SIDE GEAR	2	DH	2007+
22	AVAILABLE IN KIT ONLY	PINION SHAFT	1	DR/DH	2003+



Demand the original.

Axle Components | Driveshaft Components | Repair Kits



AAM 925 14 BOLT

Ram 9.25" Front Beam Axle

ILL #	AAM PART NUMBER	DESCRIPTION	REQ	USAGE	MODEL YEAR
23	457108	LARGE PINION BEARING (CUP & CONE)	1	DR/DH	2003+
24	40010635	LOWER BALL JOINT SEAL	2	DR/DH	2003+
25	40010451	LOWER BALL JOINT	2	DR/DH	2003+
26	40012013	LOWER BALL JOINT NUT	2	DR/DH	2003+
27	40011969	RETAINING RING	2	DR/DH	2003+
28	70020760	UPPER BALL JOINT	2	DR/DH	2003+
29	11516843	UPPER BALL JOINT NUT	2	DR/DH	2003+
30	40011815	RUBBER OVER METAL COVERPAN GASKET	1	DR/DH	2003+
31	40063948	COVERPAN	1	DR/DH	2003+

74010009 9.25" FRONT BEAM - MASTER INSTALL KIT

Ram 2500/3500

MODEL YEAR 2003 to Current

AAM PART #	DESCRIPTION	QTY
40011986	BOLT W/ WASHER & ADHESIVE	8
40011815	RUBBER OVER METAL COVERPAN GASKET	1
40021280	COTTER PIN	2
40010627	HUB NUT	2
40031306	RING GEAR BOLT W/ ADHESIVE	12
14012691	COLLAPSIBLE SPACER	1
	PINION SEAL SLEEVE	1
9783762	PREVAILING TORQUE PINION NUT	1
	PINION SHIM	18
40017140	TRIPLE LIP PINION SEAL	1
40011965	OUTPUT SEAL	2
40007601	MAGNETIC FILL/DRAIN PLUG	1
517900	PINION NUT WASHER	1
40010628	HUB NUT WASHER	2
40002169	COVERPAN BOLT W/ ADHESIVE	14

74067005 9.25" FRONT CLAMSHELL - MASTER BEARING KIT

Ram 2500/3500

MODEL YEAR 2003 to Current

AAM PART #	DESCRIPTION	QTY
	PINION HEAD BEARING ROLLER	1
	PINION HEAD BEARING RACE	1
	PINION TAIL BEARING ROLLER	1
	PINION TAIL BEARING RACE	1
74003762	PREVAILING TORQUE PINION NUT	1
74007900	PINION NUT WASHER	1
74002691	COLLAPSIBLE SPACER	1
	DIFF BEARING ROLLER	2
	DIFF BEARING RACE	2

**Note: RAM 9.25" Use Pinion Seal 40001740 - order separately*

74042462 9.25" FRONT BEAM - 33 TOOTH - DIFFERENTIAL GEAR KIT
RAM 2500/3500

MODEL YEAR 2007 to Current

AAM PART #	DESCRIPTION	QTY
	PINION GEAR	2
	SIDE THRUST WASHER	2
	SIDE GEAR	2
	PINION SHAFT SCREW	1
	PINION SHAFT	1
	PINION THRUST SPHERICAL WASHER	2

74047037 9.25" FRONT BEAM - 33 TOOTH - DIFFERENTIAL GEAR KIT
Ram 2500/3500

MODEL YEAR 2003 - 2006

AAM PART #	DESCRIPTION	QTY
	PINION FLAT BACK GEAR	2
	PINION THRUST WASHER	2
	SIDE GEAR	2
	PINION SHAFT	1
	SIDE THRUST WASHER	2
	PINION SHAFT LOCK SCREW	1

74100001 9.25" FRONT BEAM - BALL JOINT KIT
RAM 2500/3500

MODEL YEAR 2003 to Current

AAM PART #	DESCRIPTION	QTY
40010451	LOWER BALL JOINT	1
40020760	UPPER BALL JOINT	1
40010635	BALL JOINT SEAL	1
40011969	SNAP RING	1
40012013	M20 TORQUE PREVAILING NUT	1
11516133	M16 TORQUE PREVAILING NUT	1
40011986	WHEEL HUB BOLTS	4

74050016 9.25" FRONT BEAM - OUTPUT SHAFT SEAL KIT
Ram 2500/3500

MODEL YEAR 2003 to Current

AAM PART #	DESCRIPTION	QTY
40011965	OUTPUT SEAL	2
40011986	BOLT W/ WASHER & ADHESIVE	8

74030009 9.25" FRONT BEAM - COVERPAN KIT
Ram 2500/3500

MODEL YEAR 2003 to Current

AAM PART #	DESCRIPTION	QTY
40063948	COVERPAN	1
40011815	RUBBER OVER METAL COVERPAN GASKET	1
40002169	COVERPAN BOLT W/ ADHESIVE	14
40007601	MAGNETIC FILL/DRAIN PLUG	1

74020009 9.25" FRONT BEAM - PINION SEAL KIT
RAM 2500/3500

MODEL YEAR 2003 to Current

AAM PART #	DESCRIPTION	QTY
40017140	PINION SEAL	1
14012691	COLLAPSIBLE SPACER	1
9783762	PREVAILING TORQUE PINION NUT	1
	PINION SEAL SLEEVE	1
517900	PINION NUT WASHER	1

74110001 9.25" FRONT BEAM - WHEEL JOINT KIT (1485)
RAM 2500/3500

MODEL YEAR 2003 to 2009

AAM PART #	DESCRIPTION	QTY
40022782	U JOINT 1485	2
40023193	RING, RETAINING	8
40011848	DEFLECTOR, AXLE HUB BRG	2
40011986	BOLT, FRONT WHEEL HUB	8
40010627	NUT, HUB	2
40010628	WASHER, HUB NUT	2
40021280	PIN, COTTER (HUB NUT RETAINER)	2

74110002 9.25" FRONT BEAM - WHEEL JOINT KIT (1555)
RAM 2500/3500

MODEL YEAR 2010+

AAM PART #	DESCRIPTION	QTY
40069856	U JOINT 1555	2
40023193	RING, RETAINING	8
40011848	DEFLECTOR, AXLE HUB BRG	2
40011986	BOLT, FRONT WHEEL HUB	8
40010627	NUT, HUB	2
40010628	WASHER, HUB NUT	2
40021280	PIN, COTTER (HUB NUT RETAINER)	2

VEHICLE REFERENCE GUIDE

RAM 2500/3500 2003+