



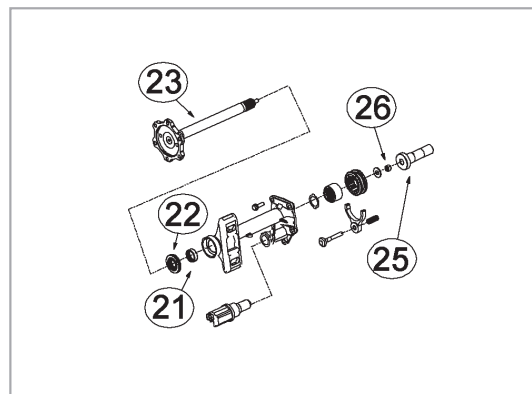
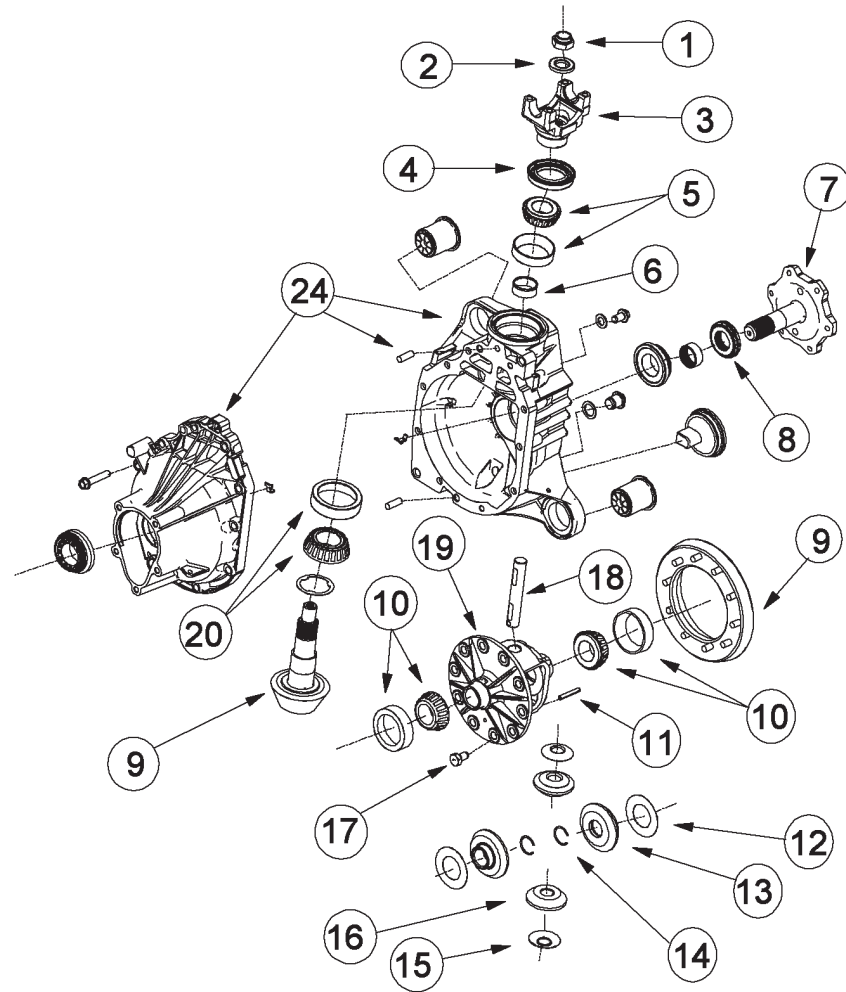
Demand the original.

Axle Components | Driveshaft Components | Repair Kits

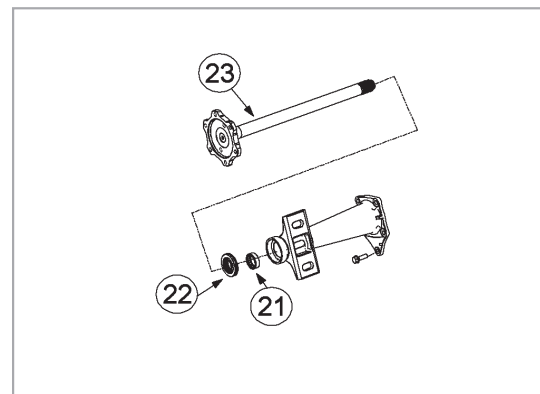


AAM 825 IFS 800

GM 8.25" FRONT AXLE



4WD



AWD

ILL #	AAM PART NUMBER	OE PART NUMBER	DESCRIPTION	REQ	USAGE	MODEL YEAR
1	74003762	9783762	PREVAILING TORQUE PINION NUT	1	4WD & AWD	1988+
2	74007900	517900	PINION NUT WASHER	1	4WD & AWD	1988+
3	40025925	88967027	PINION YOKE (1344 UJT; 4 FOOTED)	1	4WD & AWD	1988+
4	40007712	12471590	PINION SEAL	1	4WD & AWD	1997+
5	74003427	9413427	SMALL PINION BEARING ASM (CUP & CONE)	1	4WD & AWD	1988+
5	40030015	20997051	SMALL PINION YOKE BEARING ASM (CUP & CONE)	1	4WD & AWD	1988+
6	74004726	1234726	COLLAPSIBLE SPACER	1	4WD & AWD	1988+
7	74028813	26058813	AXLE SHAFT - LEFT HAND (129 MM; 28 TOOTH; 6 BOLT)	1	4WD & AWD	1997+
8	40038875	15801507	OUTPUT SEAL	2	4WD & AWD	1997+
9	40093539	22744042	RING & PINION GEARSET (3.08 RATIO)	2	4WD & AWD	1988+
9	40093541	19257736	RING & PINION GEARSET (3.42 RATIO; 2 CUT)	2	4WD	1988+
9	40093540	19257737	RING & PINION GEARSET (3.73 RATIO; 2 CUT)	2	4WD & AWD	1988+
10	74000095	9420095	DIFF. CASE BEARING ASM (CUP & CONE)	2	4WD & AWD	1988+
10	40053556	20997053	DIFF. CASE BEARING ASM (CUP & CONE)(KOYO)	2	4WD & AWD	1988+
11	AVAILABLE IN KIT ONLY		PINION SHAFT LOCK PIN	1	4WD & AWD	1988+
12	AVAILABLE IN KIT ONLY		SIDE THRUST WASHER	2	4WD & AWD	1988+
13	AVAILABLE IN KIT ONLY		SIDE GEAR	2	4WD & AWD	1988+
14	74006600	26056600	AXLE SHAFT RETAINING RING	2	4WD & AWD	1988+
15	AVAILABLE IN KIT ONLY		PINION THRUST WASHER	2	4WD & AWD	1988+
16	AVAILABLE IN KIT ONLY		PINION GEAR	2	4WD & AWD	1988+
17	74006913	14066913	RING GEAR BOLT	10	4WD & AWD	1988+
18	AVAILABLE IN KIT ONLY		PINION SHAFT	1	4WD & AWD	1988+
19	26018131	15801501	DIFFERENTIAL OPEN CASE (WITHOUT INTERNALS) 3.42 RATIO AND HIGHER	1	4WD & AWD	1988+
19	40038013		DIFFERENTIAL OPEN CASE ASSEMBLY (WITH INTERNALS) 3.08 RATIO	1	4WD GMT900	1988+
19	26067130		DIFFERENTIAL OPEN CASE ASSEMBLY (WITH INTERNALS) 3.42 RATIO AND HIGHER	1	4WD GMT 800/900	1988+
19	40003245		DIFFERENTIAL OPEN CASE ASSEMBLY (WITH INTERNALS) 3.42 RATIO AND HIGHER	1	AWD GMT800/900	1988+
20	74008356	9418356	SMALL PINION BEARING ASM (CUP & CONE)	1	4WD & AWD	1988+
20	40081330	20997052	LARGE PINION BEARING ASM (CUP & CONE)(KOYO)	1	4WD & AWD	1988+
21	74006885	26066885	ROLLER BEARING ASM	1	4WD & AWD	1988+
22	40038875	15801507	OUTPUT SEAL	2	4WD & AWD	1997+
23	74028832	26058832	AXLE SHAFT - RIGHT HAND (392 MM; 28 TOOTH; 6 BOLT)	1	4WD GMT800	1997-2003
23	40037800	19153230	AXLE SHAFT - RIGHT HAND (392 MM; 28 TOOTH; 6 BOLT)	1	4WD GMT800	2004+
24			CARRIER HOUSING		FOR REFERENCE ONLY	
26		26041516	ROLLER BEARING ASM I/O	1	4WD	1988+
27			TUBE		4WD	1999-2007
28			TUBE		AWD	2001-2007

VEHICLE REFERENCE GUIDE

C, K TRUCK - GMT800



Demand the original.

Axle Components | Driveshaft Components | Repair Kits



AAM 825 IFS 800

74010006 8.25" FRONT IFS - MASTER INSTALL KIT
Sierra, Silverado, Silverado SS, Tahoe, Yukon, Escalade, Denali, Avalanche, Suburban
MODEL YEAR 1997 to Current

AAM PART #	O.E. PART #	DESCRIPTION	QTY
40007712	12471590	PINION SEAL	1
74003762	9783762	PREVAILING TORQUE PINION NUT	1
74006885	26066885	ROLLER BEARING ASM	1
40032881		DIFFERENTIAL ADJUSTER LOCK	2
46002081		FILL PLUG/DRAIN PLUG WASHER	2
74007900	517900	PINION NUT WASHER	1
	15588312	DIFFERENTIAL ADJUSTER LOCK	2
	26036835	TUBE BOLT W/ WASHER & ADHESIVE	5
40035410		CARRIER GASKET	1
40035411		TUBE GASKET	1
15588383		DRAIN PLUG WASHER	1
40023211		SNAP RING	1
40010355		COLLAPSIBLE SPACER	1
40038875	15801507	OUTPUT SEAL	2
		OUTPUT SHIM	20
		PINION SHIM	32
	26041516	ROLLER BEARING ASM I/O	1
40026655		VENT CONNECTOR	1
40061033		SERRATED RING GEAR BOLT W/ ADHESIVE	10
	14045736	CARRIER BOLT W/ WASHER & ADHESIVE	10
	26041515	ROLLER BEARING ASM	2

GM 8.25" FRONT AXLE

74067004 8.25" FRONT IFS - MASTER BEARING KIT
Silverado, Sierra, Yukon, Denali, Suburban, Escalade, Avalanche
MODEL YEAR 1988 to Current

AAM PART #	O.E. PART #	DESCRIPTION	QTY
	9418357	PINION HEAD BEARING ROLLER	1
	9418358	PINION HEAD BEARING RACE	1
	40030016	PINION TAIL BEARING ROLLER	1
	40030017	PINION TAIL BEARING RACE	1
74003762	9783762	PREVAILING TORQUE PINION NUT	1
74007900	517900	PINION NUT WASHER	1
74004726	40010355	COLLAPSIBLE SPACER	1
	9420096	DIFF BEARING RACE	2
	457233	DIFF BEARING ROLLER	2
	40007712	PINION SEAL	1

74045936 8.25" FRONT IFS - 28 TOOTH - DIFFERENTIAL GEAR KIT
Silverado, Sierra, Yukon, Denali, Suburban, Escalade, Avalanche
MODEL YEAR 1988 to Current

AAM PART #	O.E. PART #	DESCRIPTION	QTY
		PINION GEAR	2
		SIDE THRUST WASHER	2
		SIDE GEAR	2
		PINION SHAFT	1
		PINION SHAFT LOCK PIN	1
		PINION THRUST WASHER	2

74020006 8.25" FRONT IFS - PINION SEAL KIT
Silverado, Sierra, Tahoe, Yukon, Escalade, Suburban, Avalanche
MODEL YEAR 1999 to Current

AAM PART #	O.E. PART #	DESCRIPTION	QTY
40007712	12471590	PINION SEAL	1
40010355	1234726	COLLAPSIBLE SPACER	1
74003762	9783762	PREVAILING TORQUE PINION NUT	1
74007900	517900	PINION NUT WASHER	1

74050004 8.25" FRONT IFS - OUTPUT SHAFT SEAL KIT
Sierra, Silverado, Tahoe, Yukon, Escalade, Suburban
MODEL YEAR 1997 to Current

AAM PART #	O.E. PART #	DESCRIPTION	QTY
40038875	15801507	OUTPUT SEAL	2
	26041516	ROLLER BEARING ASM I/O	1
40035411		TUBE GASKET	1
	26036835	TUBE BOLT W/ WASHER & ADHESIVE	5
	26041515	ROLLER BEARING ASM	2
74006885	26066885	ROLLER BEARING ASM	1

74080006 8.25" FRONT IFS - DISCONNECT SHIFTER KIT
Sierra, Silverado, Suburban, Yukon, Denali, Avalanche
MODEL YEAR 1998 to 2006

AAM PART #	O.E. PART #	DESCRIPTION	QTY
40007547		SHIFTER FORK	1
	15588371	RETURN SPRING	1
40029249	19121908	I/O AXLE SHAFT	1
		WASHER	20
40007173		ACTUATOR	1
	26036835	TUBE BOLT W/ WASHER & ADHESIVE	5
	26059268	CONNECTOR GEAR	1
	26066886	OUTPUT SHAFT WASHER	1