



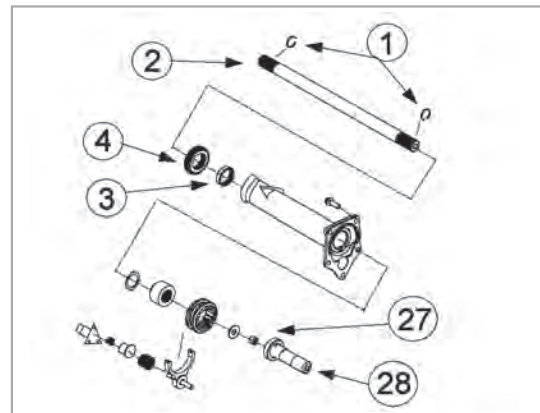
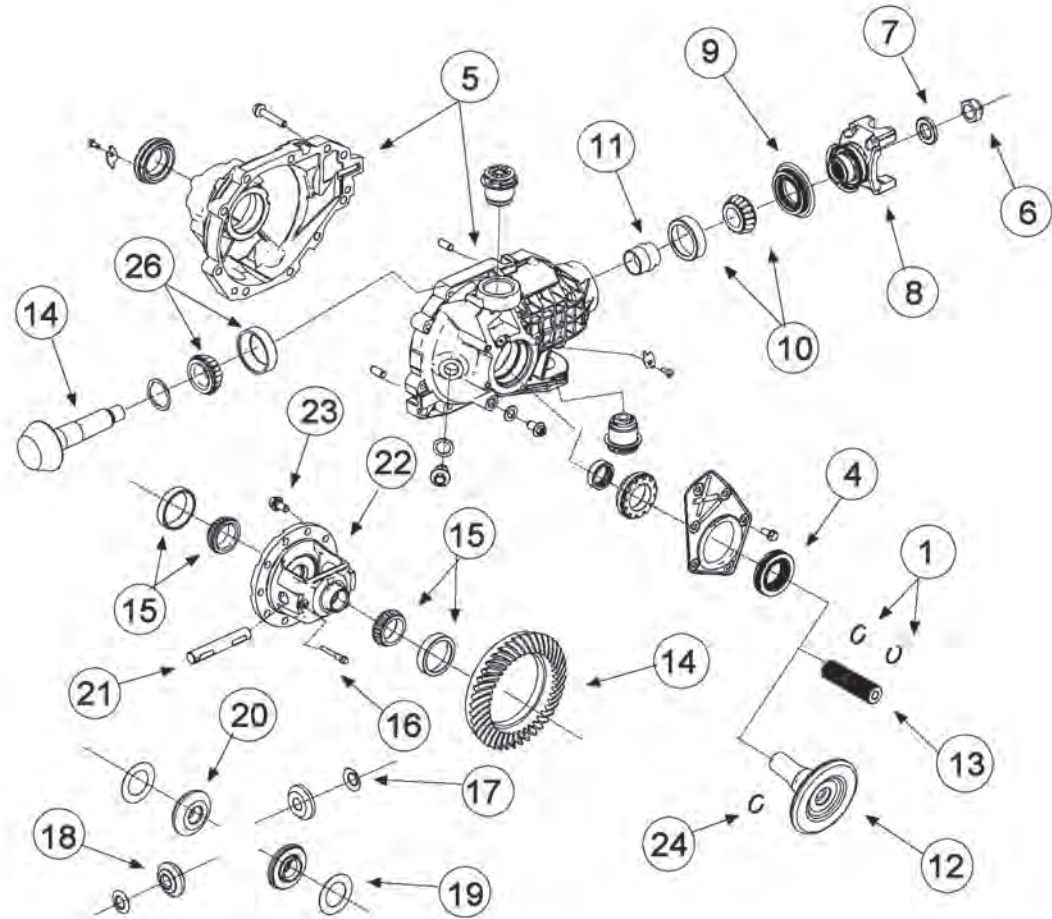
**Demand the original.**

Axle Components | Driveshaft Components | Repair Kits

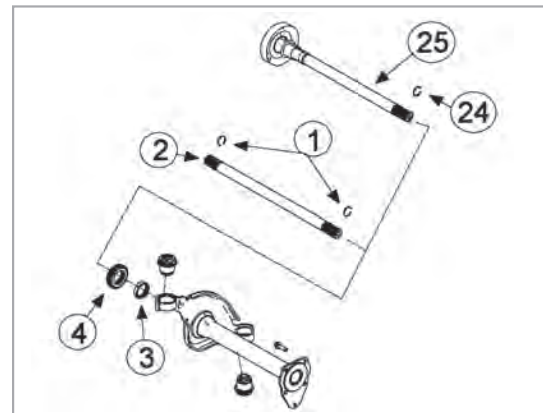


**AAM 725 IFS**

**GM 7.25" Front Axle**



4WD



AWD

ILL #	AAM PART NUMBER	OE PART NUMBER	DESCRIPTION	REQ	USAGE	MODEL YEAR
1	74001989	14041989	SNAP RING	4	T;L	2003+
2	74023318	26053318	AXLE SHAFT RH (342 MM; 26 TOOTH)	1	T	1997+
2	40015957	14041986	AXLE SHAFT LH (108.66 MM 26 TOOTH)	1	G	2003+
3	74003326	26053326	ROLLER BEARING ASM	2	T;L;ZR2;G	1983+
4	40007630	12471586	OUTPUT SEAL	2	T;L;ZR2;G	1997+
5			CARRIER ALUMINUM HOUSING (WITHOUT INTERNALS)		FOR REFERENCE ONLY	
6	74003762	9783762	PREVAILING TORQUE PINION NUT	1	T;L;ZR2;G	1983+
7	74007900	517900	PINION NUT WASHER	1	T;L;ZR2;G	1983+
8	74004459	26044459	PINION FLANGE (PILOTED)	1	L	1988+
8	74009582	14039582	PINION YOKE (1315) 27 SPLINE	1	T	1997+
8	40016660	12479305	PINION YOKE (1344/3R) 27 SPLINE	1	G	1983+
9	40006689	12471523	PINION SEAL	1	T;L;ZR2;G	1983+
10	74007784	9417784	SMALL PINION BEARING ASM (CUP & CONE)	1	T;L;ZR2;G	1983+
11	74007898	3974898	COLLAPSIBLE SPACER	1	T;L;ZR2;G	1983+
14	74019760	26039760	RING & PINION GEARSET (3:08 RATIO)	1	T;L;ZR2;G	1983+
14	40030826	88967129	RING & PINION GEARSET (3:42 RATIO)	1	T;L;ZR2;G	1983+
14	40030830	88967127	RING & PINION GEARSET (3:73 RATIO)	1	T;L;ZR2;G	1983+
15	74996759	26946759	DIFFERENTIAL BEARING ASM (CUP & CONE)	2	T;L;ZR2;G	1983+
16	AVAILABLE IN KIT ONLY		PINION SHAFT LOCK SCREW	1	T;L;ZR2;G	1983+
17	AVAILABLE IN KIT ONLY		PINION THRUST WASHER	2	T;L;ZR2;G	1983+
18	AVAILABLE IN KIT ONLY		PINION GEAR	2	T;L;ZR2;G	1983+
19	AVAILABLE IN KIT ONLY		SIDE THRUST WASHER	2	T;L;ZR2;G	1983+
20	AVAILABLE IN KIT ONLY		SIDE GEAR	2	T;L;ZR2;G	1983+
21	AVAILABLE IN KIT ONLY		PINION SHAFT	1	T;L;ZR2;G	1983+
22	14039596		DIFFERENTIAL OPEN CASE (WITHOUT INTERNALS) 3.23 RATIO AND HIGHER	1	T;L;ZR2;G	1983+
22	46002013		DIFFERENTIAL OPEN CASE ASSEMBLY (WITH INTERNALS) 3.23 RATIO AND HIGHER	1	T;L;ZR2;G	1983+
23	74996135	14056135	SERRATED RING GEAR BOLT W/ ADHESIVE	10	T;L;ZR2;G	1983+
24	74001989	14041989	SNAP RING	2	G	1997+
26	74009879	9439879	LARGE PINION BEARING ASM (CUP & CONE)	1	T;L;ZR2;G	1983+

**VEHICLE REFERENCE GUIDE**

T	TRUCK - 4-WHEEL DRIVE MID-SIZE PICK-UPS AND BLAZERS
L	VAN - ALL-WHEEL DRIVE VAN (ASTRO, SAFARI)
G	VAN - FULL-SIZE VAN (ALSO GMT-600), EXPRESS/SAVANA

